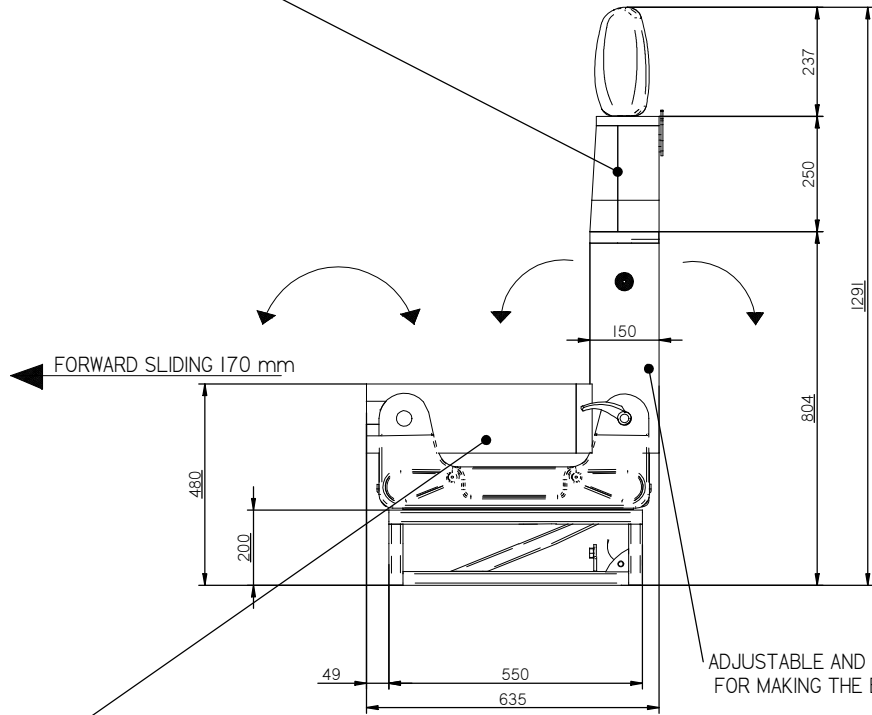
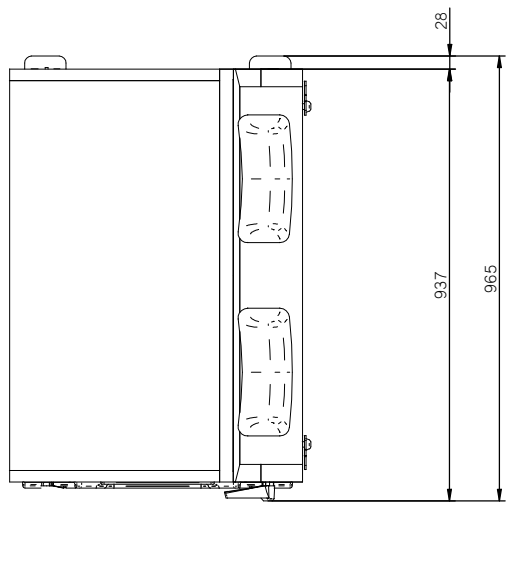


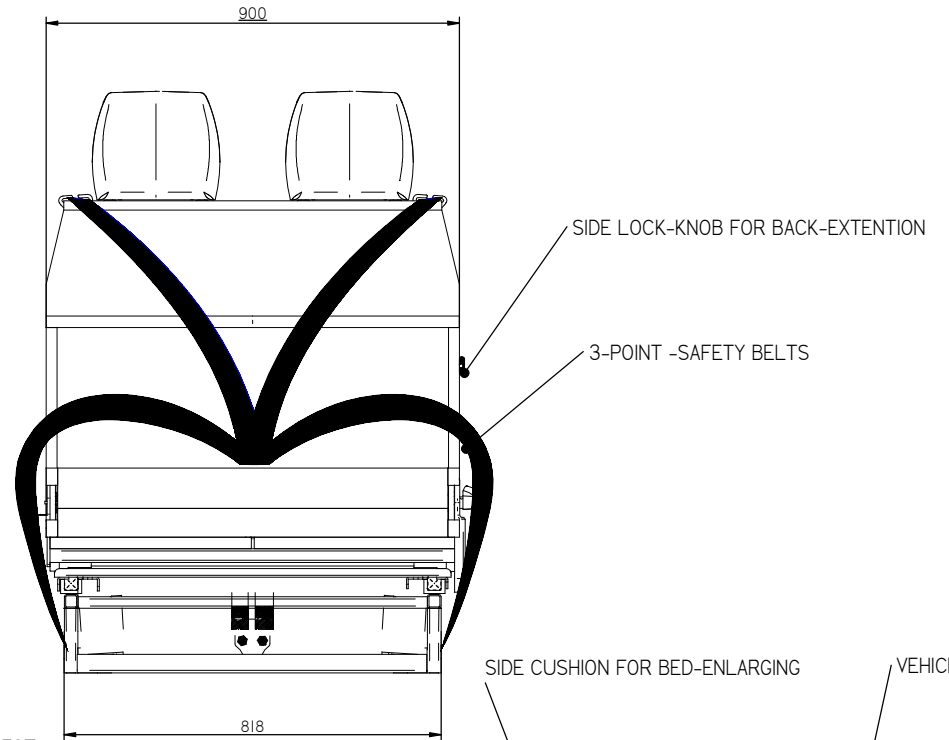
BACK-EXTENSION REMOVABLE BY SIDE UNLOCK-KNOB



180° DOWN FOLDABLE SEAT FOR MAKING THE BED

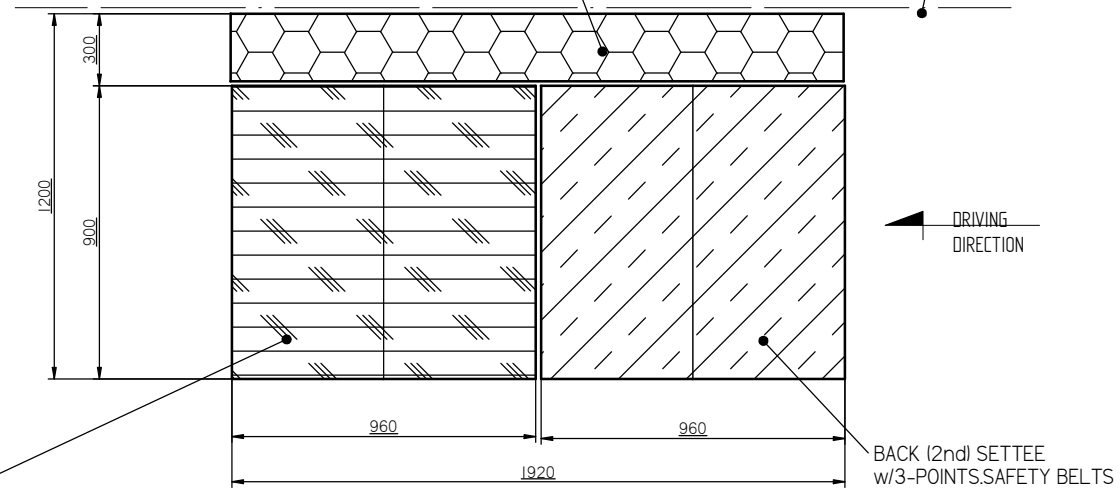


SIDE SLIDING 270 mm



SIDE CUSHION FOR BED-ENLARGING

VEHICLE WALL



FRONT (1st) SETTEE w/2-POINTS OR w/3-POINTS SAFETY BELTS

BACK (2nd) SETTEE w/3-POINTS.SAFETY BELTS

ARTICOLO					NEW SETTEE w/INTEGRATED 3-POINTS-SAFETY BELTS				
VEICOLO					INTERNI AUTOBUS - CAMPER - NAUTICA				
NOTE					VIA GOLGI, 27 - 25064 GUSSAGO (BRESCIA) ITALY TEL. 030 321776 - 030 321885 - FAX 030 322281 www.fasp.it - e-mail: info@fasp.it				
CLIENTE	standard				DISEGNO	506 . 900 . 5762 dx			
DATA	20.7.10	SCALA	N.D.	DISEGNATORE	massi	VISTO	BRUNO	PESO	70 KG