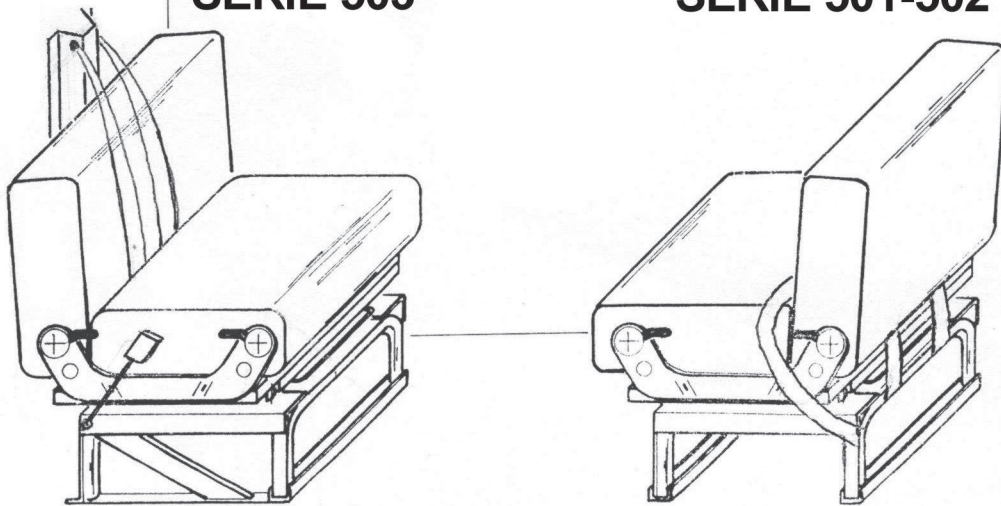


1800 Min

SERIE 503

SERIE 501-502

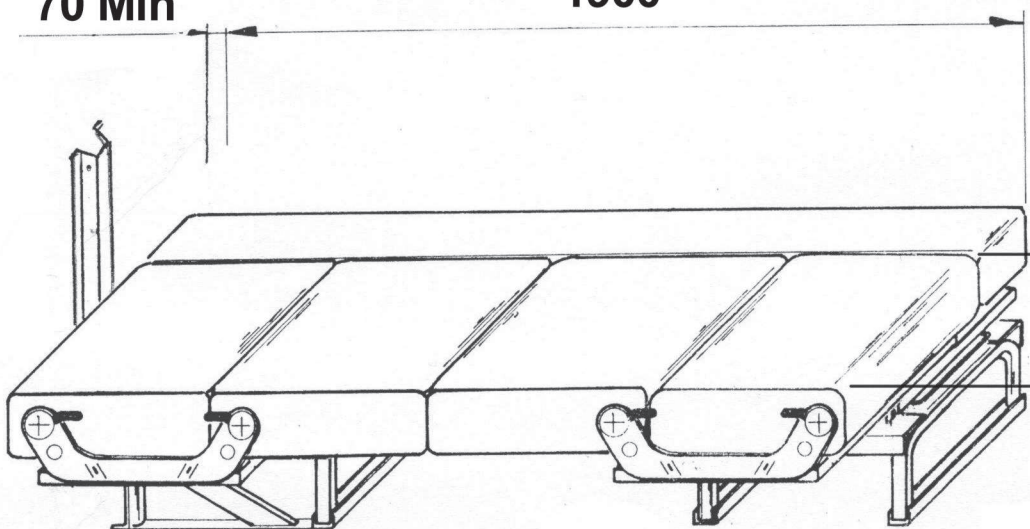
DRIVING POSITION



70 Min

1900

BED POSITION



300

DRIVING DIRECTION